

## > Motores varias velocidades Fan-Coil



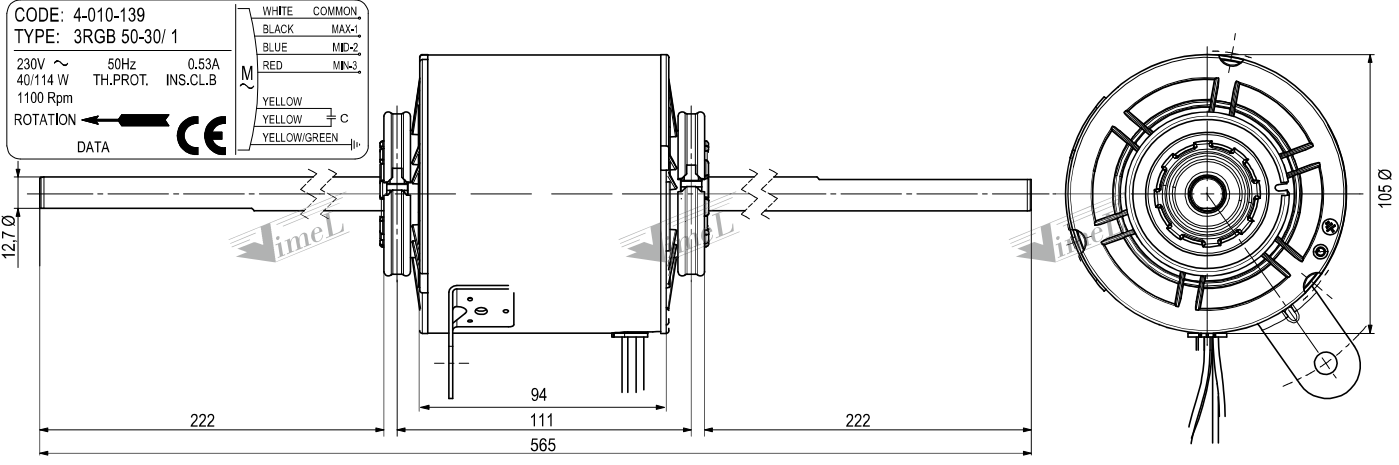
REFER.	CODIGO	LARGO	DISTANCIA ENTRE AMORTIGUADORES	EJE	POTENCIA	TRANSF.	MOTOR
4010139	3 RGB 50/30/1	565	113,5mm	12,7x2	40/114		Ø105
4010463	FGFB44TB0131R	610	155mm	12,7x2	400/700		Ø125
4010548	3 FGB 100-40-6V	530	125,5mm	12,7x2	100/180		Ø125
40101685	3 FGB 190-50-3V	565	135,5mm	12,7x2	190/295		Ø125
40101742	3 FGB 400-70-3V	530	155mm	12,7x2	400/770		Ø125
40111170	FGFB44TB0016R	530	135,5mm	12,7x2	170/365		Ø125
40111265	HOFB44TB0016R	660	187mm	12,7x2	630/1100		Ø149
40111334	FGFB45TB0334R	580	155mm	12,7x2	230/455		Ø125
40111337	FGFB45TB0337R	580	155mm	12,7x2	320/740		Ø125
40111236	BTNB41TB0236	510	101,5mm	9,52x2	27/100	3042033	∅84
40111237	BTNB41TB0237	510	113,5mm	9,52x2	40/145	3042033	∅84
40111238	BTNB41TB0238	510	113,5mm	9,52x2	55/160	3042033	∅84
40101491	3 BTB 50-40-6V	580	117,5mm	9,52x2	50/135	3042036	∅84
4010941	3RGM 35-20/1E	321,5	125,5mm	12,7x1	34/90		Ø105
40101481	3RGM 75-50-6V	322	135,5mm	12,7x1	75/165		Ø105
40101728	3 FGM 90-40-7V	318	135,5mm	12,7x1	90/150		Ø125
440111234	BTNM41TB0234	308	92mm	9,52x1	16/70	3042100	∅84

**DISPONIBLE CASQUILLO DE EJE PARA AMPLIAR DE 9,52mm A 12,70mm**

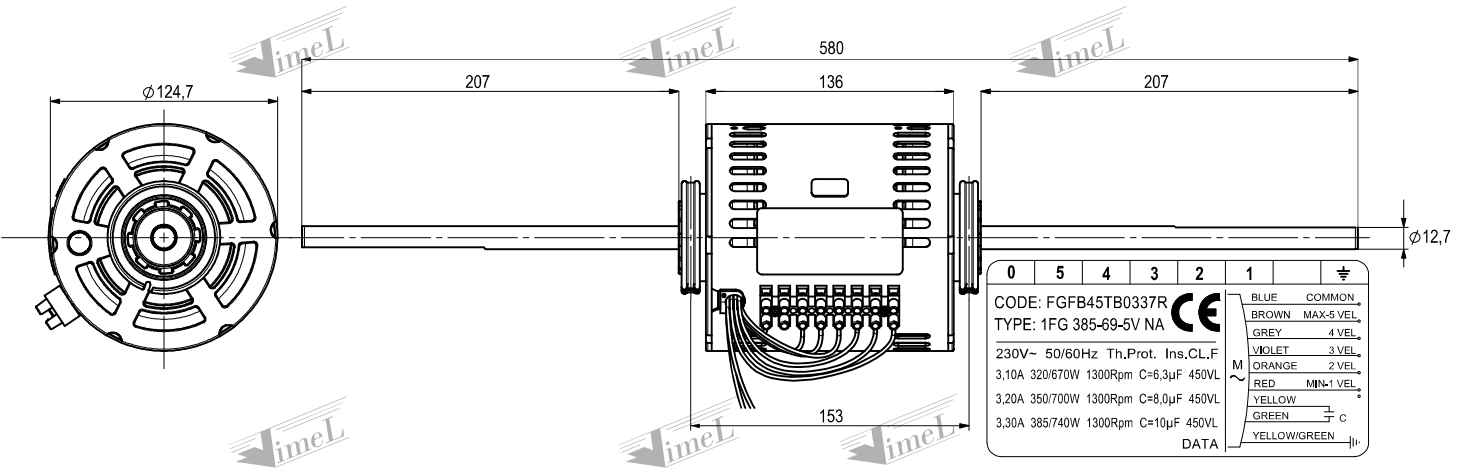
**DISPONIBLE AUTO-TRANSFORMADORES Y SOPORTES**

# > Motores varias velocidades Fan-Coil

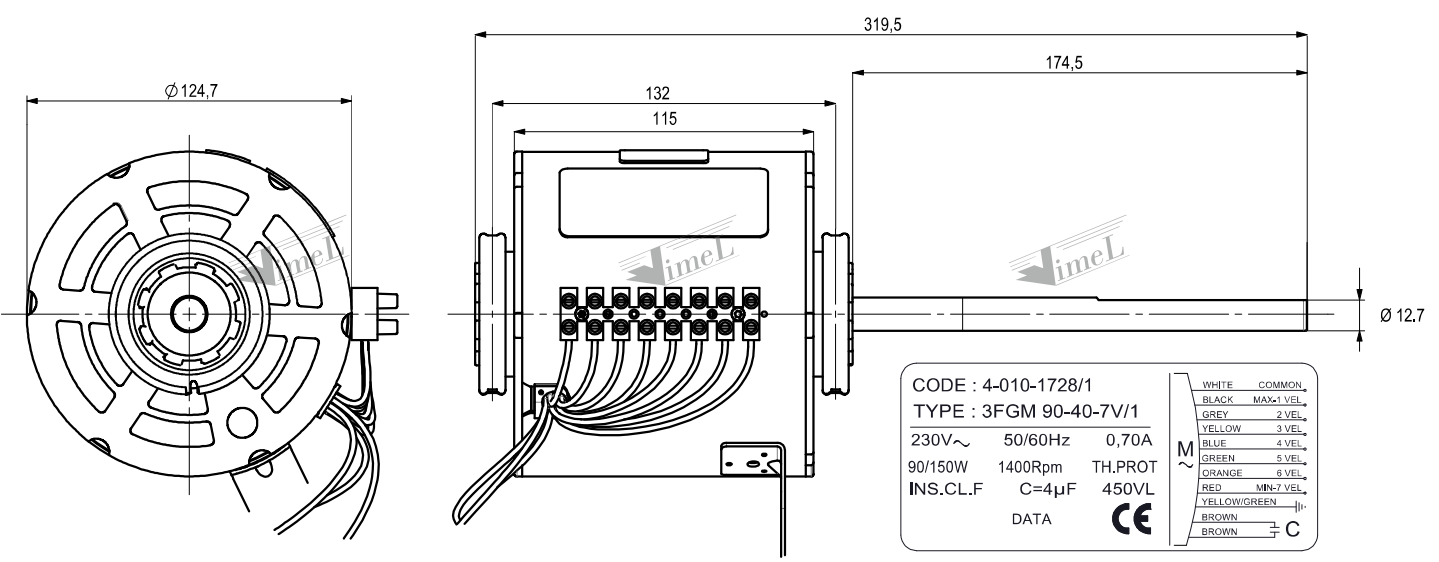
## REFER. FANCOIL 4010139



## REFER. FANCOIL 40111337

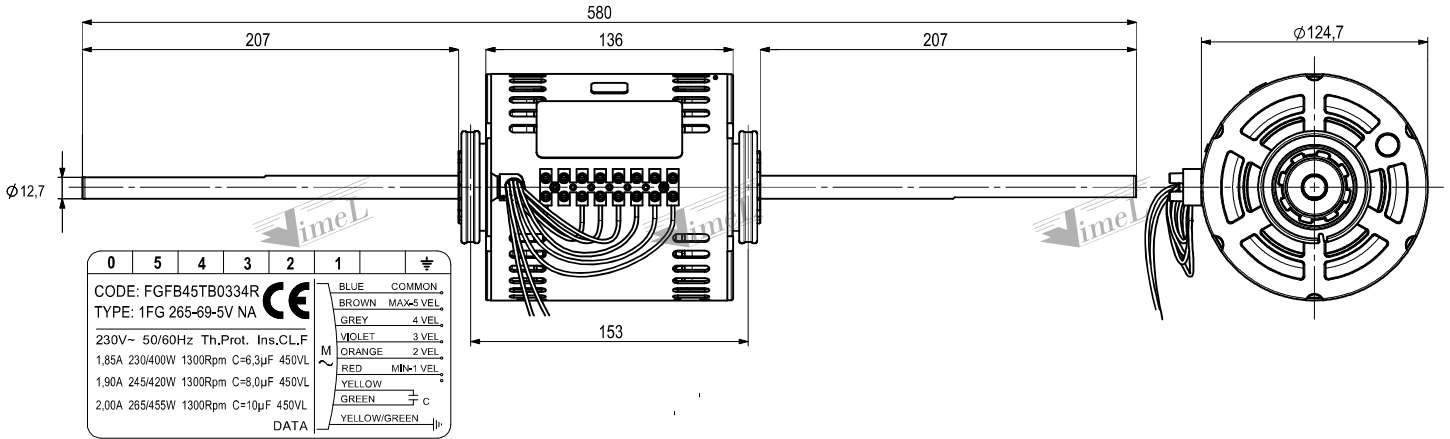


## REFER. FANCOIL 40101728

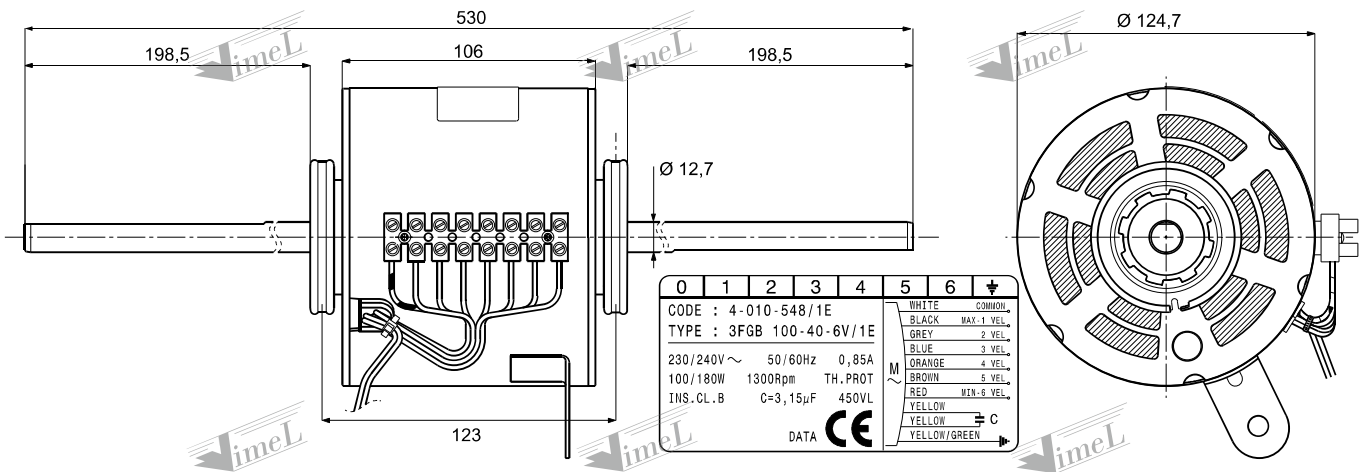


## > Motores varias velocidades Fan-Coil

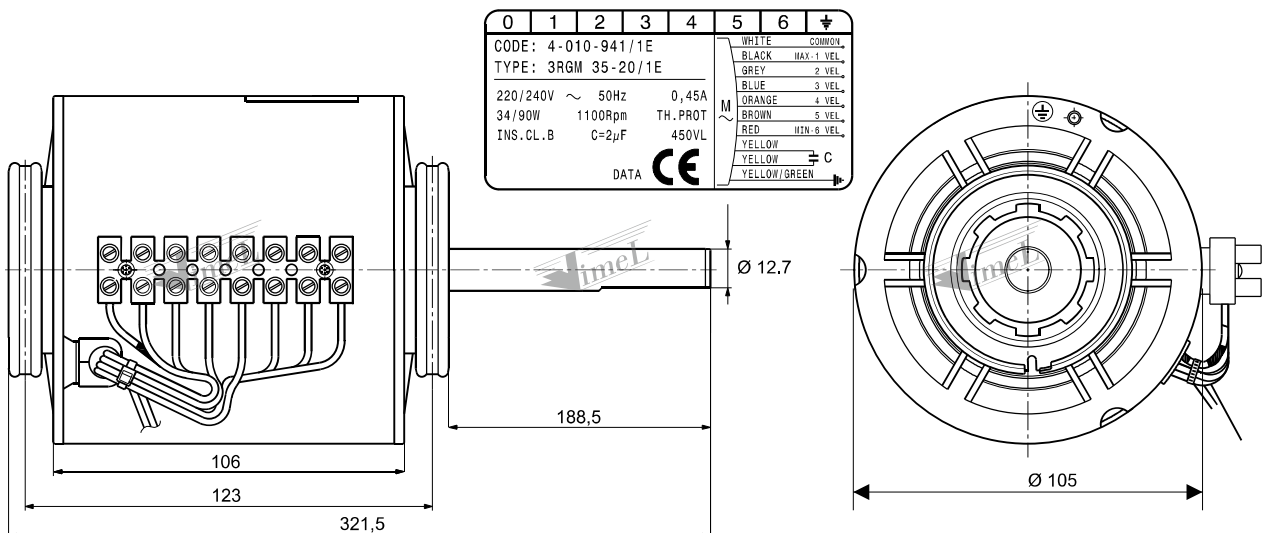
REFER. FANCOIL 40111334



REFER. FANCOIL 4010548

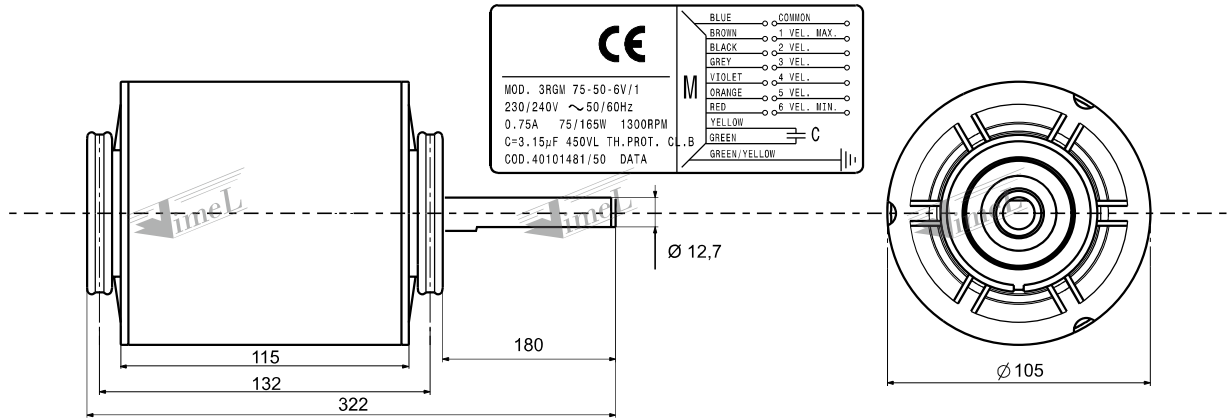


REFER. FANCOIL 4010941

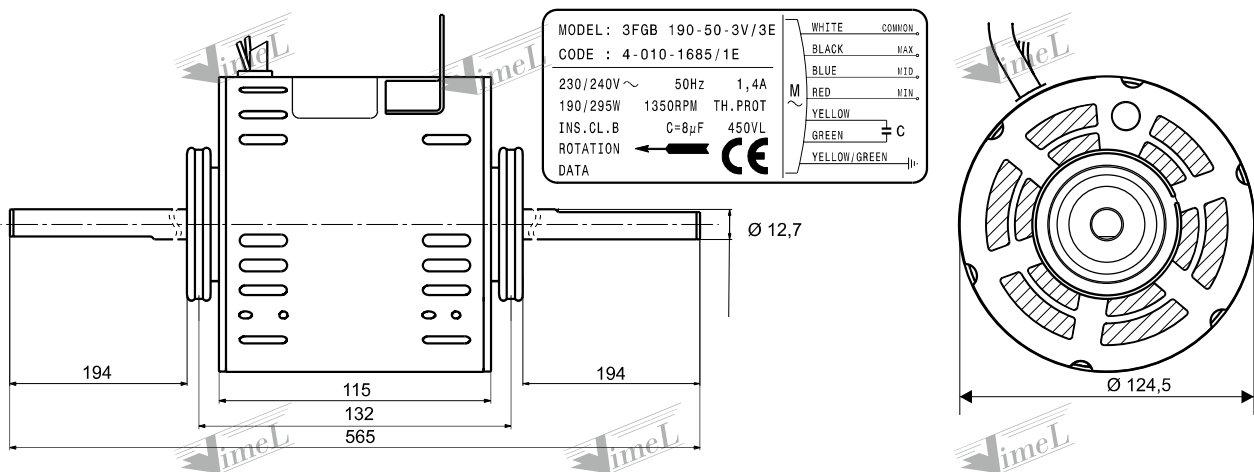


## > Motores varias velocidades Fan-Coil

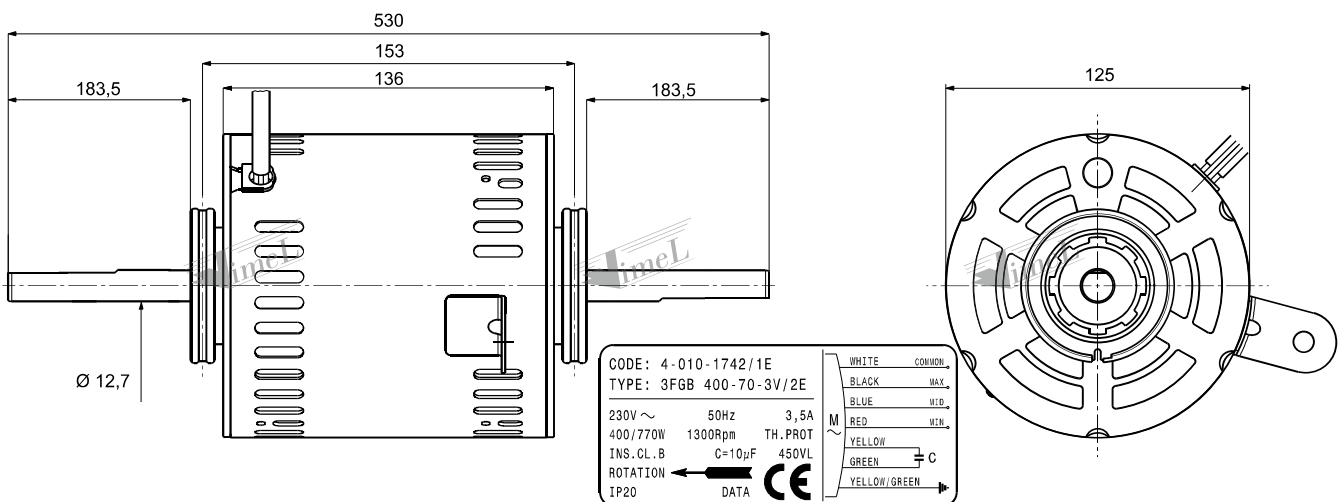
REFER. FANCOIL 40101481



REFER. FANCOIL 40101685

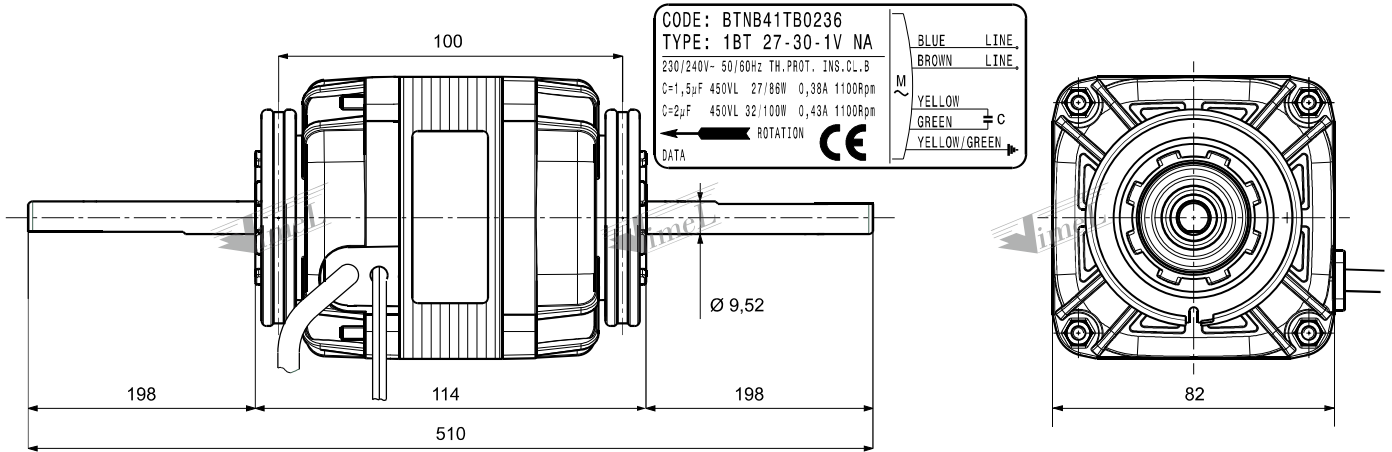


REFER. FANCOIL 40101742

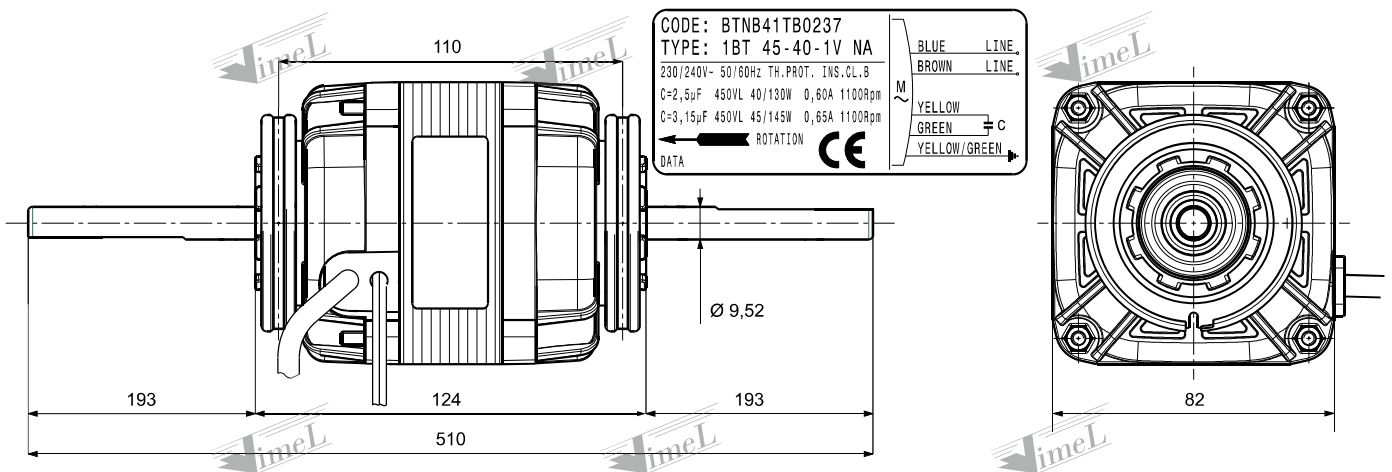


## > Motores varias velocidades Fan-Coil

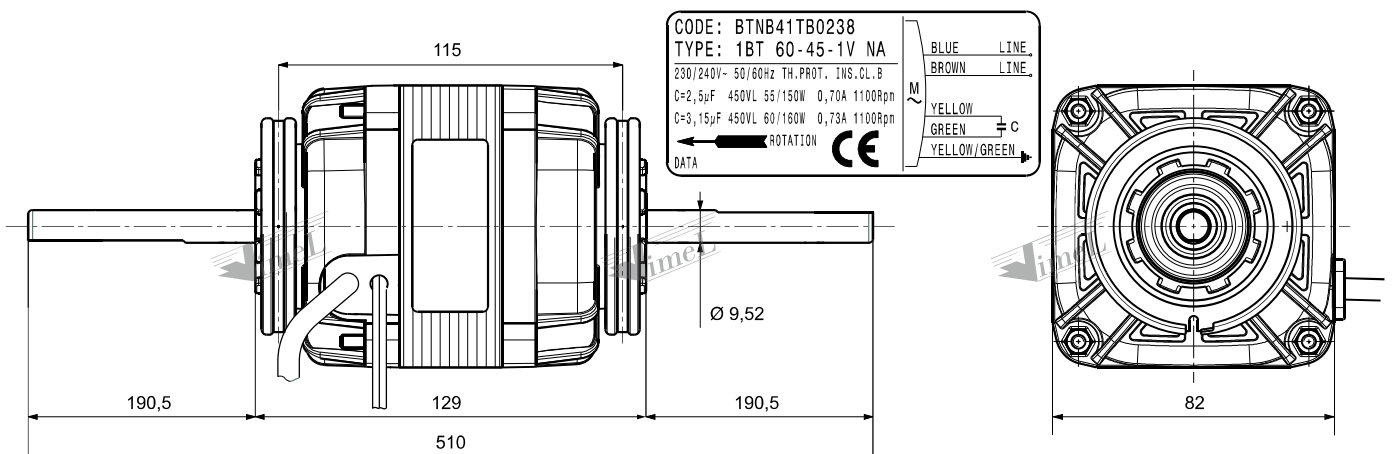
REFER. FANCOIL 40111236



REFER. FANCOIL 40111237

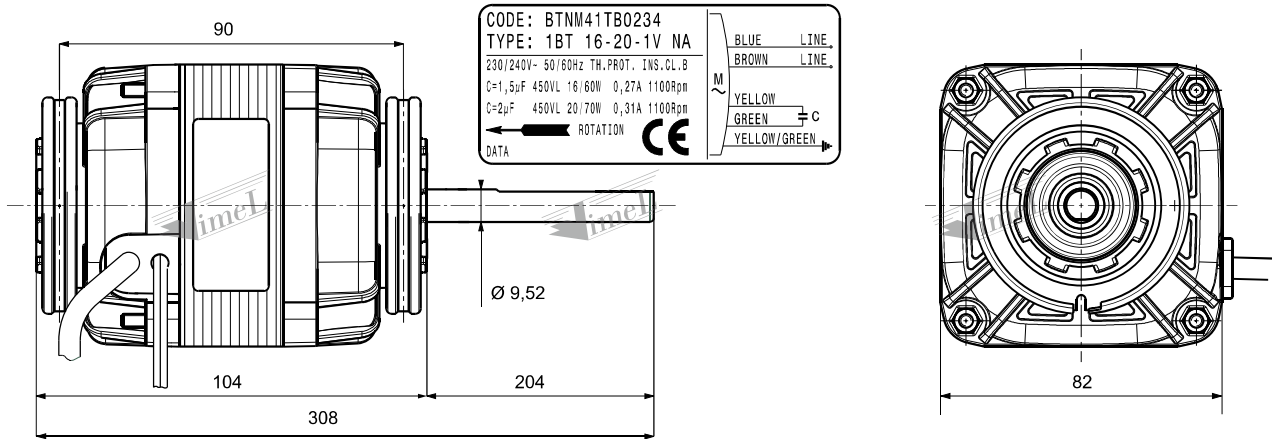


REFER. FANCOIL 40111238

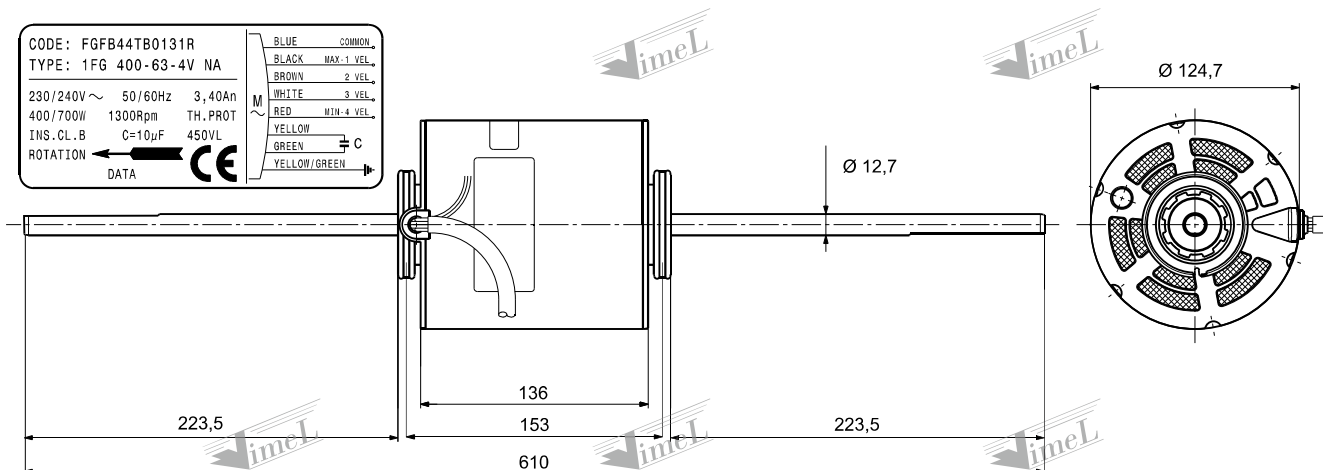


## > Motores varias velocidades Fan-Coil

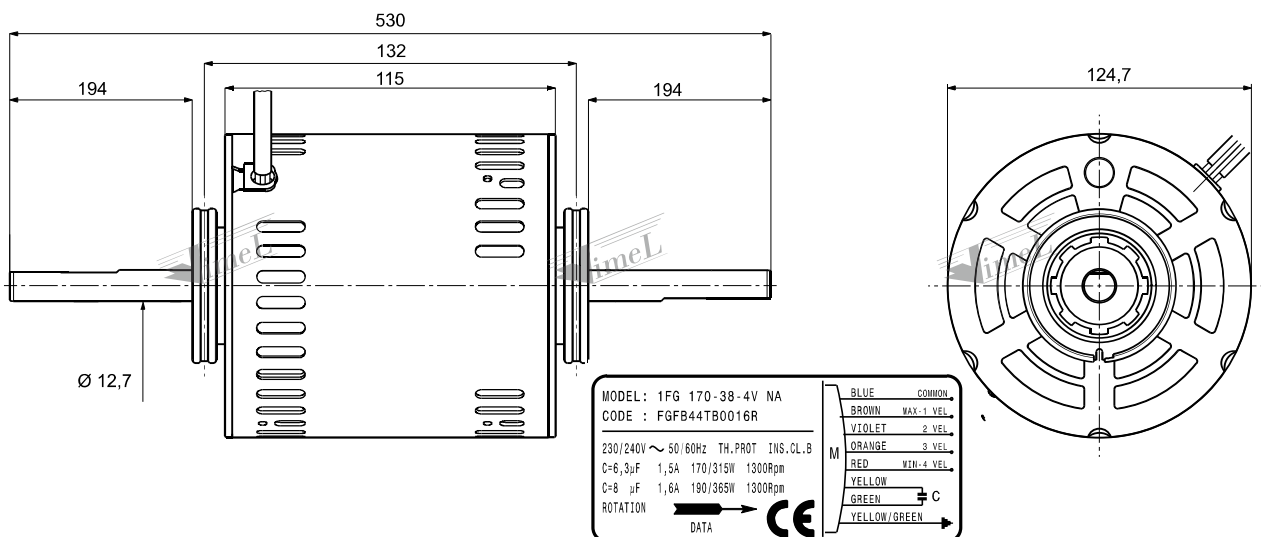
REFER. FANCOIL 40111234



REFER. FANCOIL 4010463



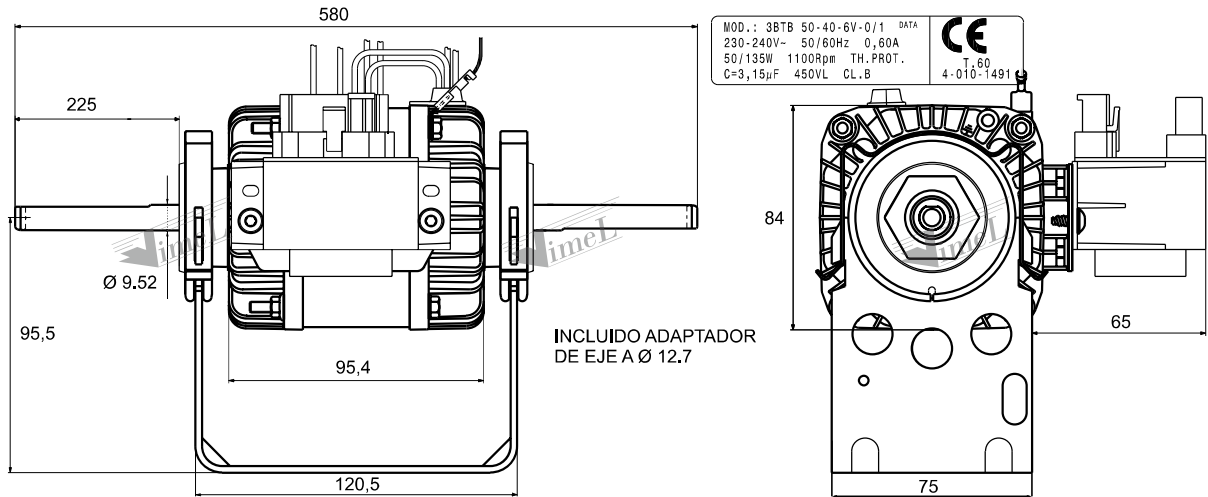
REFER. FANCOIL 40111170



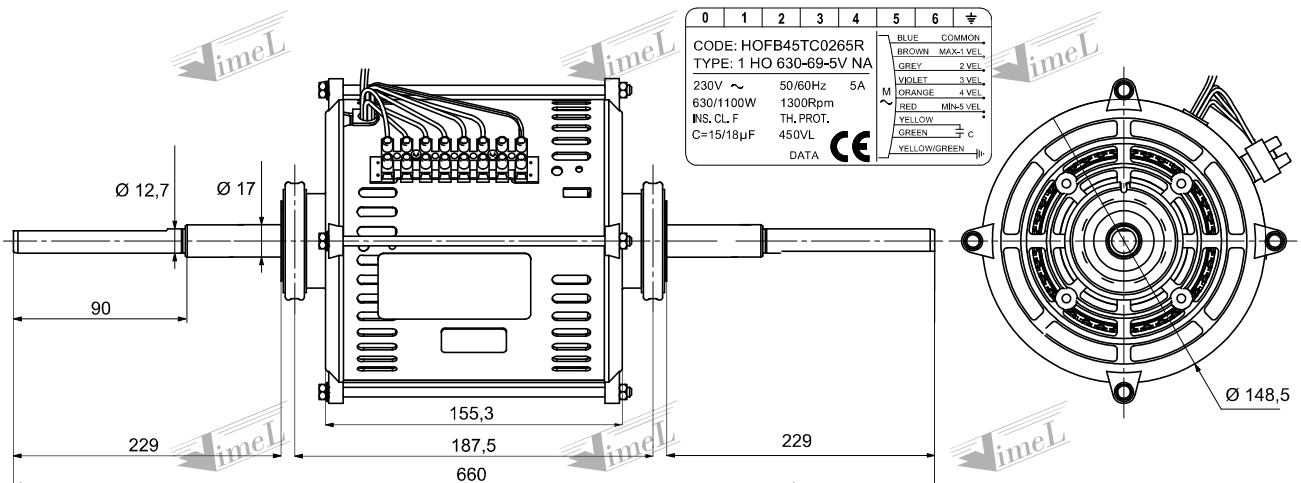


## > Motores varias velocidades Fan-Coil

REFER. FANCOIL 40101491



REFER. FANCOIL 40111265



## > Soportes Fan-Coil



REFERENCIA	LARGO
10451000	92 mm
10451022	101 mm
10451042	113 mm
10451200	117 mm
1045139	125 mm
1045205	135 mm
10452041	155 mm