

> Prensaestopas

Prensaestopas de Nylon

Sistema métrico

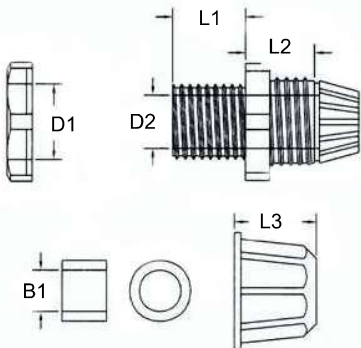


REFER.	Orificio Mont D1	Dimensions mm.						Para Cable
		mm	D2	B1	L1	L2	L3	
AG-12	12	1.25	8.3	5.0	7.9	12.1	13.3	3-6.5
AG-16	16	1.5	10.9	9.6	14.4	14.4	16.7	5-10
AG-20	20	1.5	14.8	12.9	12.8	19.5	18.4	10-14
AG-25	25	1.51	18.6	16.4	14.5	18.7	22.3	13-18
AG-25S	25	1.5	18.6	16.4	14.5	18.7	22.3	13-18
AG-32	32	1.5	26	23.4	14.7	20.3	26.2	18-25
AG-32S	32	1.5	26	23.4	14.7	20.3	26.2	18-25
AG-40	40	1.5	31.4	30.6	17.7	23.4	31.9	22-32
AG-50	50	1.5	41.2	38.2	17.3	25.7	31.6	30-38
AG-63	63	1.9	54.1	42.4	18.6	26.2	32.6	34-44
AG-63L	63	1.9	51.8	45	20.0	28.5	36.5	34-44
AG-63LS	63	1.5	51.8	45	20	28.5	36.5	34-44
AG-16-F	20.8	PF1/2"	11	13	9.5	14.0	18.7	5-10
AG-20F	20.8	14	14.7	14.7	9.5	16.0	18.5	6-13

JIS Thread

REFER.	Orificio Mont D1	Dimensions mm.						Para Cable
		mm	D2	B1	L1	L2	L3	
AGJ-14	14	1.5	8.04	6.33	8.07	12.15	13.3	3-6.5
AGJ-17	17	1.5	10.76	10.25	14.63	14.53	16.7	5-10
AGJ-21	21	1.5	14.98	13.50	12.87	19.60	18.4	10-14
AGJ-27	27	1.5	18.37	18.65	14.66	18.45	22.3	13-18
AGJ-34	34	1.5	25.84	25.31	14.84	20.75	26.1	18-25

IP68



Prensaestopas de Nylon

Sistema PG.
Standard DIN.



REFER.	Orificio de Montaje D1	Paso	Dimensions mm.					Para Cable
			D2	B1	L1	L2	L3	
EG-7	PG-7/12.1	1.5	8.0	6.0	8.0	12.8	13.4	3.5-6
EG-7LS	PG-7/+p	1.5	8.0	6.0	8.0	12.8	13.4	3.5-6
EG-9	PG-9/14.3	1.5	9.9	7.0	8.1	13.9	15.2	4-8
EG-9L	PG-9/14.3	1.5	9.9	7.0	14.67	13.9	15.2	4-8
EG-11	PG-11/18.23	1.5	13.2	9.6	8.2	15.4	18.3	5-10
EG-11L	PG-11	1.5	13.2	9.6	14.85	15.4	18.3	5-10
EG-13.5	PG-13.5/19.9	1.5	15.2	11.7	8.9	15.8	18.9	6-12
EG-13.5L	PG-13.5	1.5	15.2	11.7	15.63	15.8	18.9	9-12
EG-16	PG-16/22.1	1.5	17.2	12.9	8.9	17.3	19.7	10-14
EG-21	PG-21/27.5	1.5	22.4	16.5	10.8	18.6	23.9	13-18
EG-29	PG-29/36.2	1.5	30.6	23.3	10.9	20.5	27.4	18-25
EG-36	PG-36/46.7	1.5	35.2	33.3	14.4	24.4	30.5	22-32
EG-42	PG-42/52.2	1.5	39.3	39.6	14.6	25.4	31.6	30-39
EG-48	PG-48/57.6	1.5	45.4	45.1	15.8	25.2	31.3	34-34